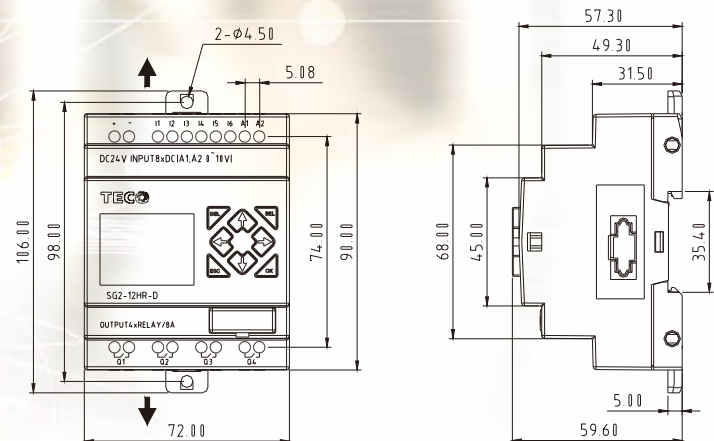
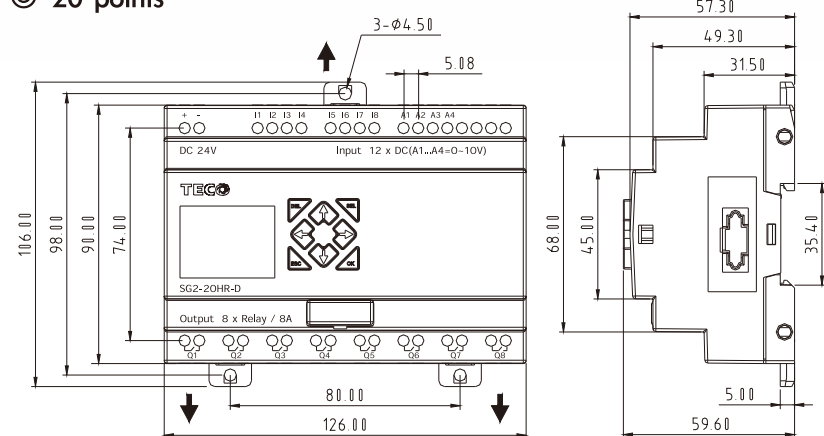


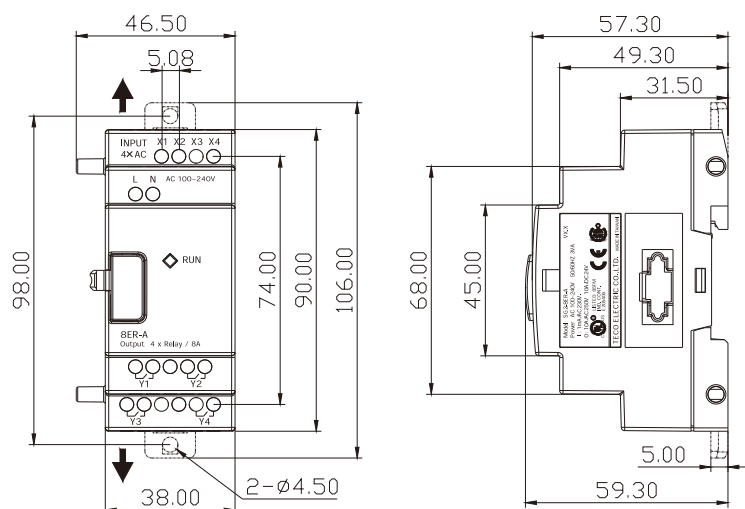
◎ 10/12 points



◎ 20 points



◎ Expansion Module (8 points)



SG2 Series

Advanced



PLC RUN (pulse.cir) temperature 27.0
 Date/Time run: 05/27/94 11:30:11

45	10	2.5	30	43
50	12	3.0	34	45
55	12	3.0	35	50
60	12	3.0	35.5	51
65	12	3.0	40	56
70	12	3.0	45	61
75	12	3.0	47	63
80	12	3.0	50	66
85	12	3.0	53	69
90	12	3.0	55	71
95	12	3.0	56	72



System specification



Complete product line:10/12/20 points basic module , analog input / output , temperature input , relay or transistor outputs is optional.

- ◆ Max expansion 44 digital I/O points, including 3 sets of 8 points(4 inputs / 4 outputs) expansion modules. 1 set analog input module, 1 set temperature input module, 2 set analog output module (2 channel current or voltage output) and 1 set communication module.
- ◆ Analog input can expand to 8 points in which 4 points are 10 bits voltage/current input(0-10V / 4-20mA), temperature input can expand to 4 points(PT-100).
- ◆ Several communication expansion modules are available:Profibus-DP, Devicenet, Modbus RTU, Ethernet(TCP/IP).
- ◆ Built-in 16x4 LCD display and 10 languages:English, French, Spanish, Italian, German, Portuguese, Polish, Russian, Turkish and Simplified Chinese are selectable.
- ◆ Ladder format, max 300 lines, 4 instructions per line. FBD format, max 260 blocks.
- ◆ High speed counter input(1KHz) and pulse output are available.
- ◆ Built-in 31 multi-function timers, 31 sets of counter, 31 RTC comparators and 126 auxiliary, 31 analog compare.
- ◆ Lower price variant models without LCD Keypad and without top cover are available.
- ◆ Basic module(V type) built-in Modbus port(RTU), 8 channel I/O link and Remote I/O communication port.
- ◆ Built-in RTC(setting summer / winter time change) will be operational up to 240 hours after power off.
- ◆ Relay output contact rating max 8A / Transistor output rating max 0.5A.
- ◆ Two possible levels(A, B) can set 16 bits password protection function.
- ◆ 2 PWM outputs are available. One can be used as PLSY(pulse output) at 1KHZ.

Item	Specification	
Method of input program	By means of Ladder/Function Block	
Operating Environment	Operating temperature	-20~55°C
	Storage temperature	-40~70°C
Main Structure	Operating humidity	5~90% RH no frost
	Environment gas	No corrosive gas environment
	Vibration resistance	IEC60068-2-6 Standard
	Impact resistance	0.075mm amplitude/1.0g acceleration 15g peak, 11ms duration
Noise proofing	ESD	Contact ±4KV, air discharge ±8KV
	EFT	Power AC: ±2KV DC: ±1KV
	CS	0.15~80MHz 10V/m
	RS	80~1GHz 10V/m,1.4GHz~2GHz 3V/m, 2GHz~2.7GHz 1V/m
	EMI	EN55011 class B
Installation	Enclosure Protection	IP20
	Fixing Method	Direct or Din rail(35mm)installation
	Direction	Please refer to installation manual
Size of cable	AWG 12/ φ 3.5mm2	

	Model	Power supply			Input	Output point	Analog input	LCD Key	Expansion ability	High speed input	PWM Output	I/O LINK	
		AC 100-240V	DC 24V	DC 12V									
10 point Variant	Expandable Type (★: project requested)												
		10HR-A	◎			6	4	Relay		◎	◎		
		12HR-D		◎		8*	4	Relay	2	◎	◎	◎	
		12HT-D		◎		8*	4	Transistor	2	◎	◎	◎	◎
		12HR-12D			◎	8*	4	Relay	2	◎	◎	◎	
	Expandable & without control panel(★: project requested)												
	★	10KR-A	◎			6	4	Relay			◎		
	★	12KR-D		◎		8*	4	Relay	2		◎	◎	
	★	12KT-D		◎		8*	4	Transistor	2		◎	◎	◎
	★	12KR-12D			◎	8*	4	Relay	2		◎	◎	
	Standard & without upper-cover (Economical Type) (★: project requested)												
	★	10CR-A	◎			6	4	Relay					
★	12CR-D		◎		8*	4	Relay	2			◎		
★	12CT-D		◎		8*	4	Transistor	2			◎	◎	
20 point model	Expandable Type												
		20HR-A	◎			12	8	Relay		◎	◎		
		20HR-D		◎		12*	8	Relay	4	◎	◎	◎	
		20HT-D		◎		12*	8	Transistor	4	◎	◎	◎	◎
		20HR-12D			◎	12*	8	Relay	4	◎	◎	◎	
	Expandable & without control panel (Blind Type) (★: project requested)												
	★	20KR-A	◎			12	8	Relay			◎		
	★	20KR-D		◎		12*	8	Relay	4		◎	◎	
	★	20KT-D		◎		12*	8	Transistor	4		◎	◎	◎
	★	20KR-12D			◎	12*	8	Relay	4		◎	◎	
	Standard & without upper-cover (Economical Type)												
	★	20CR-A	◎			12	8	Relay					
★	20CR-D		◎		12*	8	Relay	4			◎		
★	20CT-D		◎		12*	8	Transistor	4			◎	◎	
High speed communication Type													
	20VR-D		◎		12*	8	Relay	4	◎	◎	◎		
	20VT-D		◎		12*	8	Transistor	4	◎	◎	◎	◎	
Expansion		8ER-A	◎		4	4	Relay						
		8ER-D		◎	4	4	Relay						
		8ET-D		◎	4	4	Transistor						

* The analog input points are included.



Expansion and option model

Model	Part No.	Instruction
Power supply	10PS-24	Input:AC100~240V / Output:24V 1.3A
Analog input	SG2-4AI	4 points are 12 bits voltage / current input(0-10V / 0-20mA)
*1 Analog output	SG2-2AO	2 channel Output Module(voltage / current:0-10V / 0-20mA)
*1 Temperature input	SG2-4PT	Temperature Input Module(4 channel PT-100 input)
Communication	SG2-MBUS	Modbus Communication Module(DC24V)
Communication	SG2-PBUS	Profibus Communication Module(DC24V)
Communication	SG2-DNET	Devicenet Communication Module(DC24V)
Communication	EN01	Ethernet(TCP/IP)Communication Module(DC24V)
Mempack	PM05 3rd	Download / Upload program
PC interface cable	PL01	PC-Link cable for COM port
PC interface cable	SG2-ULINK	PC-Link cable for USB port

* 1:It cannot be used with SG2 firmware version lower than V3.0



SG2-8ET-D



SG2-DNET



SG2-MBUS



SG2-PBUS